

# **Pedernales Electric Cooperative, Inc. Underground Construction Specifications**

**As of 12/21/2018**

DRAWING NUMBER	DESCRIPTION
	<b>TRANSFORMERS</b>
101-001	SINGLE PHASE PADMOUNT TRANSFORMER DEAD-END
101-002	SINGLE PHASE PADMOUNT TRANSFORMER FEED THROUGH
101-003	SINGLE PHASE PADMOUNT TRANSFORMER TWO WAY FEED
103-001-0713	THREE PHASE PADMOUNT TRANSFORMER DEAD-END
103-002-0713	THREE PHASE PADMOUNT TRANSFORMER FEED THROUGH
103-003-0713	THREE PHASE PADMOUNT TRANSFORMER TWO WAY FEED
	<b>ENCLOSURES</b>
201-001-0713	PRIMARY ENCLOSURE GROUNDS
201-002-0713	PRIMARY ENCLOSURES
201-003-0114	PRIMARY ENCLOSURE WITH 18" SPACER
202-001-0713	SECONDARY ENCLOSURES AND PEDESTALS
	<b>SWITCHGEAR</b>
300-001-0713	SWITCHGEAR FIGURE 9
300-002-0713	SWITCHGEAR FIGURE 11
	<b>MVI's</b>
400-001-0713	RISER MOLDED VACUUM INTERRUPTERS
	<b>MISCELLANEOUS ASSEMBLIES</b>
500-001-0713	LOAD BREAK ELBOW, REPAIR ELBOW, TRANSFORMER BUSHING, FEED THROUGH BUSHING: PORTABLE & PERMANENT
500-002-0713	RISER ARRESTER, ELBOW ARRESTER, PARKING STAND WITH ARRESTER, BUSHING ARRESTER, PRO CAP AND STANDOFF INSULATOR
500-003-0713	JUNCTION TERMINALS FOR VAULT APPLICATIONS
500-004	JUNCTION TERMINALS FOR ABOVE GROUND ENCLOSURES
500-005-0713	FAULT INDICATORS
500-006-0713	600 AMP MISCELLANEOUS ASSEMBLIES
500-007-0713	600 AMP "T" CONNECTORS
500-008-0713	SECONDARY CONNECTORS FOR PEDESTALS
500-009-0713	SECONDARY SINGLE PHASE PADMOUNT TRANSFORMER CONNECTORS
500-010-0713	SECONDARY TRANSFORMER PADDLES
	<b>PADS AND LIDS</b>
600-001-0318	PRECAST CONCRETE PAD FOR PEDESTAL
600-002-0318	PRECAST CONCRETE PAD FOR SINGLE PHASE TRANSFORMER

REV | A | DATE | 12/21/2018 | REVISION | ISSUE FOR CONSTRUCTION | BY | RWC | CHK | EJD | APR | MMG



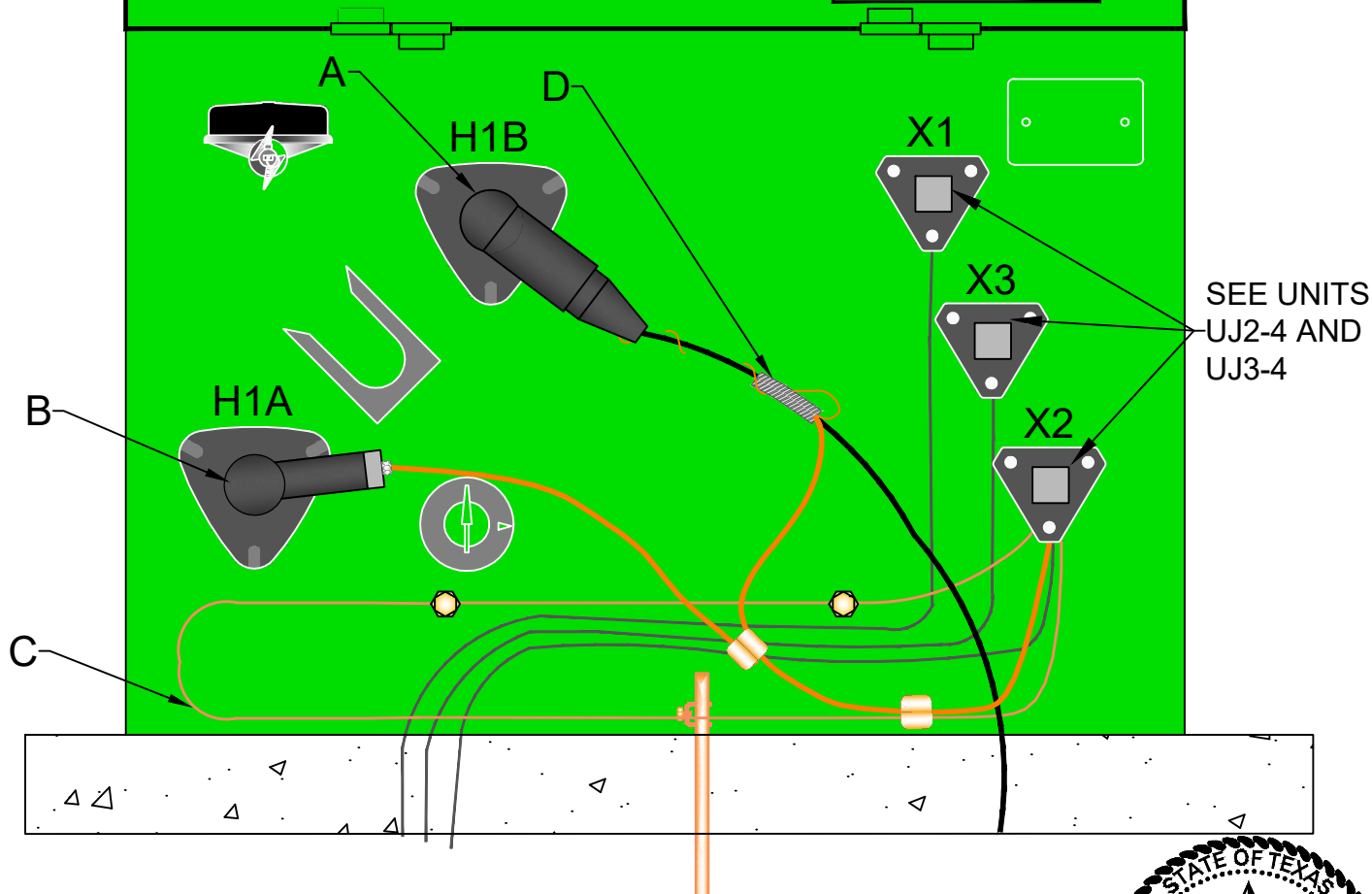
**MATERIAL  
SPECIFICATION**

**INDEX**

drawn:	approved:	date:	<b>500-104</b>
RWC	MMG	12/21/2018	

**DANGER**

Keep away!  
Will shock, burn or cause death.  
If found open, contact your local utility company.



**NOTES:**

1. BOND ALL CONCENTRIC NEUTRALS TOGETHER USING APPROPRIATE NUMBER OF GROUND CLAMPS.
2. PROVIDE SUFFICIENT PRIMARY NEUTRAL PIGTAIL AND CABLE SLACK TO PERMIT READY DISCONNECTION OF ELBOW AND MOUNTING ON PARKING STAND.
3. IF TRANSFORMER HAS A PRIMARY STUB-OUT, PLACE ARRESTER ON H1B BUSHING AND PRIMARY ELBOW ON H1A BUSHING.



*Michelle Galloway*  
09/20/2018

ITEM	COMPATIBLE UNIT	QUANTITY	UNIT DESCRIPTION
A	VUM3-1	1	25kV PRIMARY CABLE TERMINAL
B	VUM5-9	1	18kV ARRESTER ELBOW
C	N/A	AS REQ'D	2001295 - #6 BARE COPPER WIRE - SOLID SD
D	N/A	*1	2000558 - CABLE SEALING KIT (1/0)

**SPECIFY UJ2-4 FOR 25-75kVA XFMRs AND UJ3-4 for XFMRs LARGER THAN 75kVA**

\*DENOTES "GRAB BAG" ITEM.

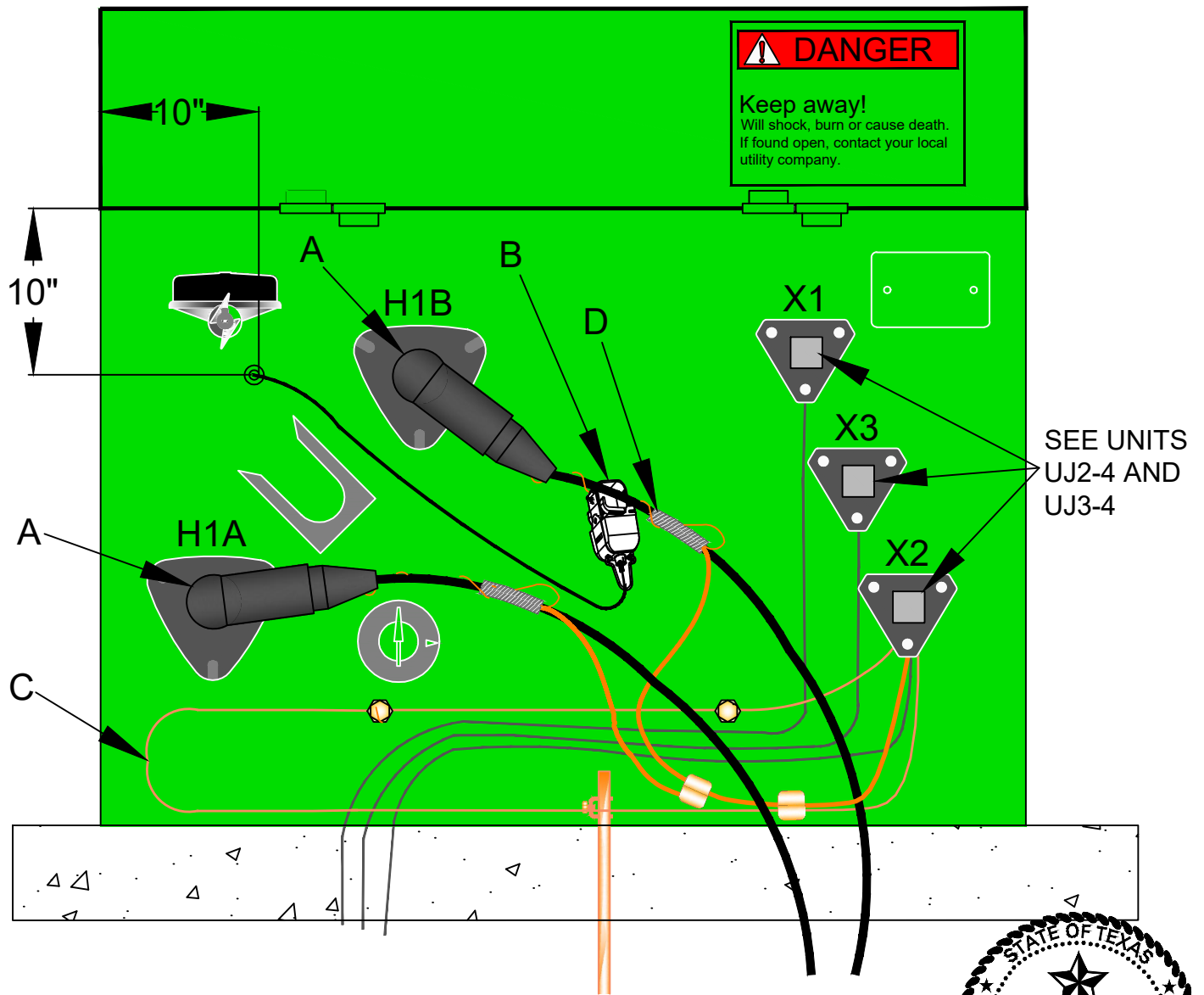
REV | A | DATE | 09/21/2018 | REVISION | ISSUE FOR CONSTRUCTION | BY | RWC | CHK | EJD | APR | MMG



**MATERIAL SPECIFICATION**

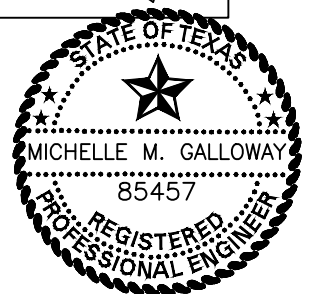
**1Ø PADMOUNT TRANSFORMER DEAD END**

drawn:	approved:	date:	101-001
JDN	MMG	03/21/2018	



**NOTES:**

1. BOND ALL CONCENTRIC NEUTRALS TOGETHER USING APPROPRIATE NUMBER OF GROUND CLAMPS.
2. PROVIDE SUFFICIENT PRIMARY NEUTRAL PIGTAIL AND CABLE SLACK TO PERMIT READY DISCONNECTION OF ELBOW AND MOUNTING ON PARKING STAND.



*Michelle Galloway*  
09/20/2018

ITEM	COMPATIBLE UNIT	QUANTITY	UNIT DESCRIPTION
A	VUM3-1	2	25kV PRIMARY CABLE TERMINAL
B	UM6-4	1	INDICATOR FAULT 1PH 200 MAN RST
C	N/A	AS REQ'D	2001295 - #6 BARE COPPER WIRE - SOLID SD
D	N/A	*2	2000558 - CABLE SEALING KIT (1/0)

**SPECIFY UJ2-4 FOR 25-75kVA XFMRs AND UJ3-4 for XFMRs LARGER THAN 75kVA**

\*DENOTES "GRAB BAG" ITEM.

REV | A | DATE | 09/21/2018 | REVISION | ISSUE FOR CONSTRUCTION | BY | RWC | CHK | EJD | APR | MMG

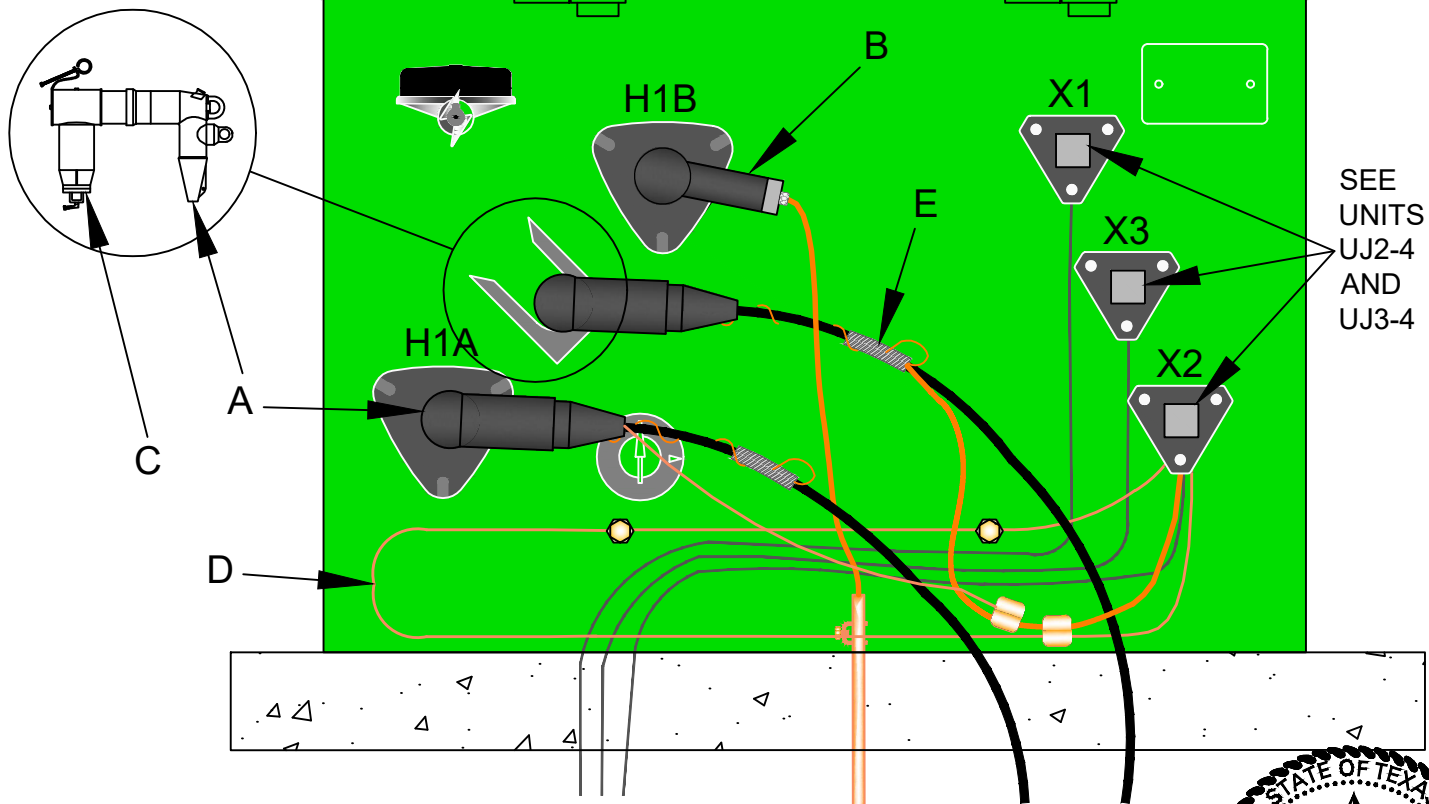


**MATERIAL SPECIFICATION**

**1Ø PADMOUNT TRANSFORMER FEED THROUGH**

drawn:	approved:	date:	101-002
RWC	MMG	08/31/2018	

**⚠ DANGER**  
 Keep away!  
 Will shock, burn or cause death. If found open, contact your local utility company.



**NOTES:**

1. BOND CONCENTRIC NEUTRALS TOGETHER USING APPROPRIATE NUMBER OF GROUND CLAMPS.
2. PROVIDE SUFFICIENT PRIMARY NEUTRAL PIGTAIL AND CABLE SLACK TO PERMIT READY DISCONNECTION OF ELBOW AND MOUNTING ON PARKING STAND.



*Michelle Galloway*  
 09/20/2018

ITEM	COMPATIBLE UNIT	QUANTITY	UNIT DESCRIPTION
A	VUM3-1	2	25kV PRIMARY CABLE TERMINAL
B	VUM5-9	1	18kV ARRESTER ELBOW
C	VUM5-10	1	ARRESTER PARKING STAND TYPE 18kV
D	N/A	AS REQ'D	2001295 - #6 BARE COPPER WIRE - SOLID SD
E	N/A	*2	2000558 - CABLE SEALING KIT (1/0)

**SPECIFY UJ2-4 FOR 25-75kVA XFMRs AND UJ3-4 for XFMRs LARGER THAN 75kVA**

\* DENOTES "GRAB BAG" ITEMS

REV | A | DATE | 09/21/2018 | REVISION | ISSUE FOR CONSTRUCTION | BY | RWC | CHK | EJD | APR | MMG



**MATERIAL SPECIFICATION**

1Ø PADMOUNT TRANSFORMER  
 TWO WAY FEED

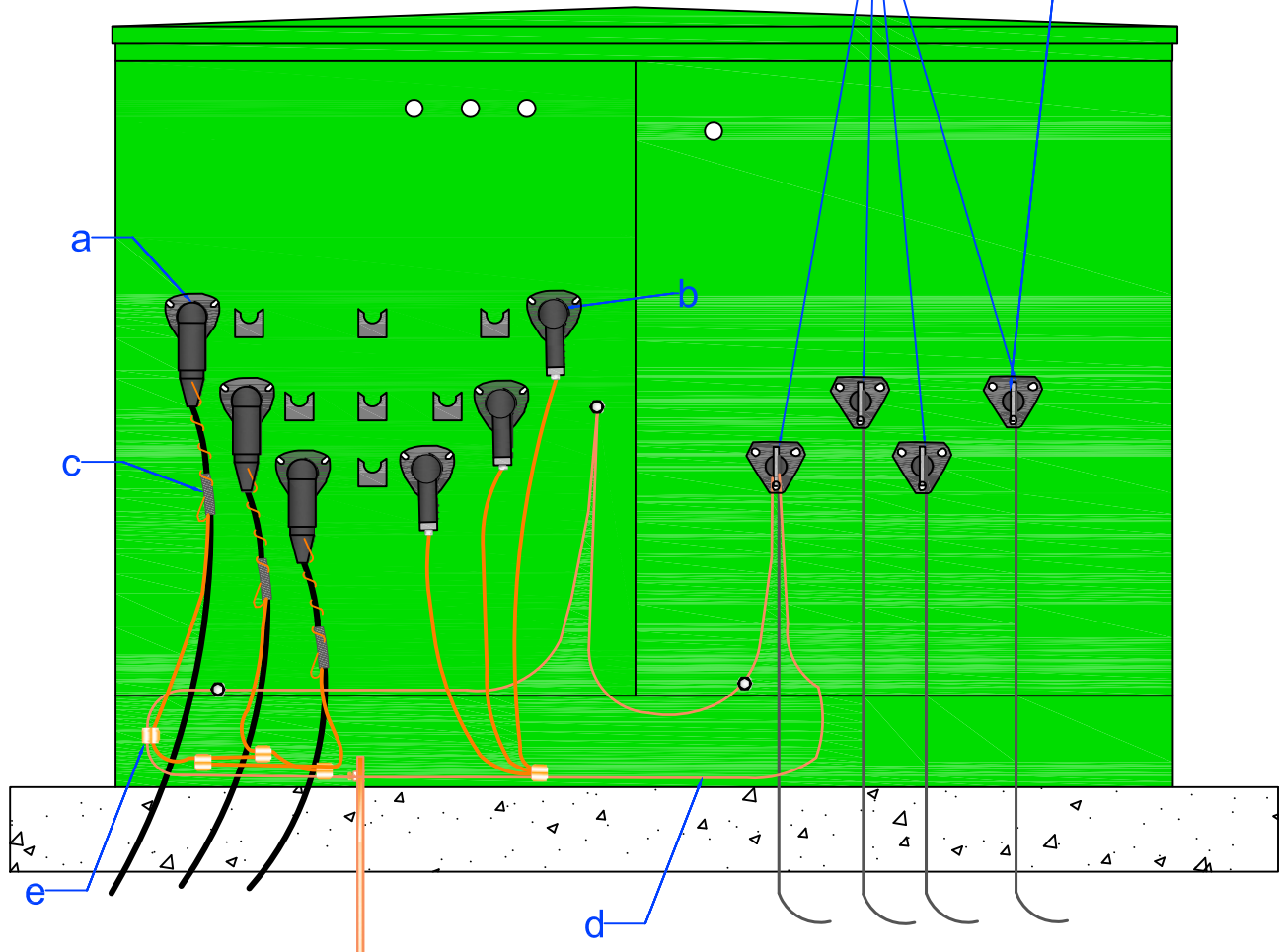
drawn:	approved:	date:	101-003
RWC	MMG	08/31/2018	

Notes:

1. Bond all concentric neutrals together.
2. Provide sufficient primary neutral pigtail and cable slack to permit ready disconnection of elbow and mounting on parking stand.

Spades provided with Transformer  
 45-225 KVA      6 HOLE SPADES  
 300-500 KVA    8 HOLE SPADES  
 750-1000 KVA   12 HOLE SPADES  
 ABOVE 1500 KVA 16 HOLE SPADES

See Units  
 UJ6-3, UJ6-4,  
 and UJ6-8



Item	Compatible Unit	Quantity	Compatible Unit Description
a	VUM3-1	3	25KV Prmy Cable Terminal
b	VUM5-9	3	Arrester Elbow 18KV URD
c	N/A	*3	2000558 - Kit Cable Sealing 1/0
d	N/A	As Req'd	2001293 - Wire Copper Bare #2 7 Str
e	N/A	As Req'd	Connectors

\* Denotes "Grab bag" items.



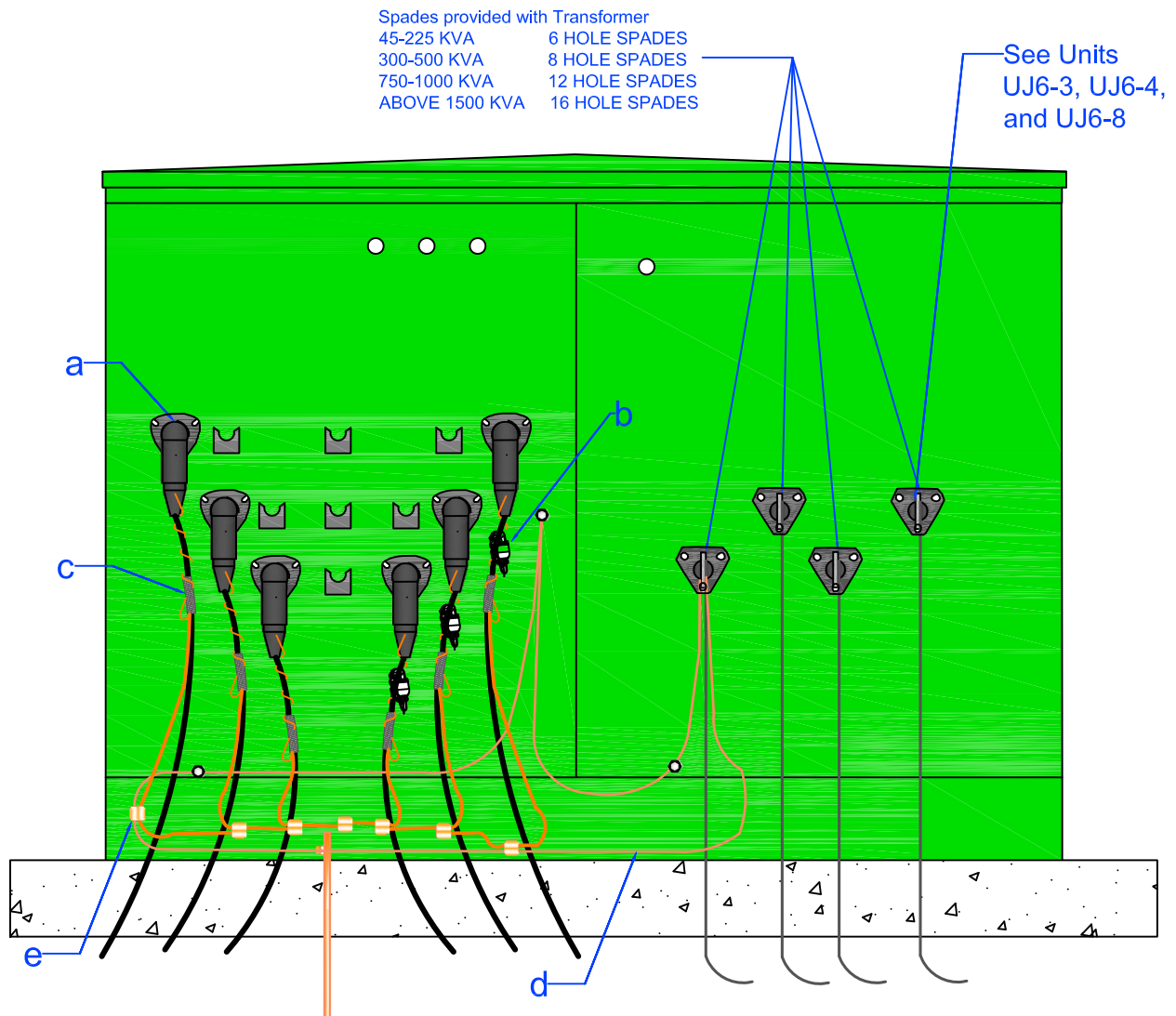
URD CONSTRUCTION SPECIFICATIONS

3Ø Padmount Transformer Deadend

drawn: JBS	approved MJB	date: July 17, 2013	103-001-0713

Notes:

1. Bond all concentric neutrals together.
2. Provide sufficient primary neutral pigtail and cable slack to permit ready disconnection of elbow and mounting on parking stand.



Item	Compatible Unit	Quantity	Compatible Unit or Material Description
a	VUM3-1	6	25KV Primary Cable Terminal
b	UM6-4	3	Indicator Fault 1Ph 200 Manual Reset
c	N/A	*6	2000558 - Kit Cable Sealing 1/0
d	N/A	As Req'd	2001293 - Wire Copper Bare #2 7 Str
e	N/A	As Req'd	Connector

\* Denotes "Grab bag" items.



URD CONSTRUCTION SPECIFICATIONS

3Ø Padmount Transformer Feed Thru

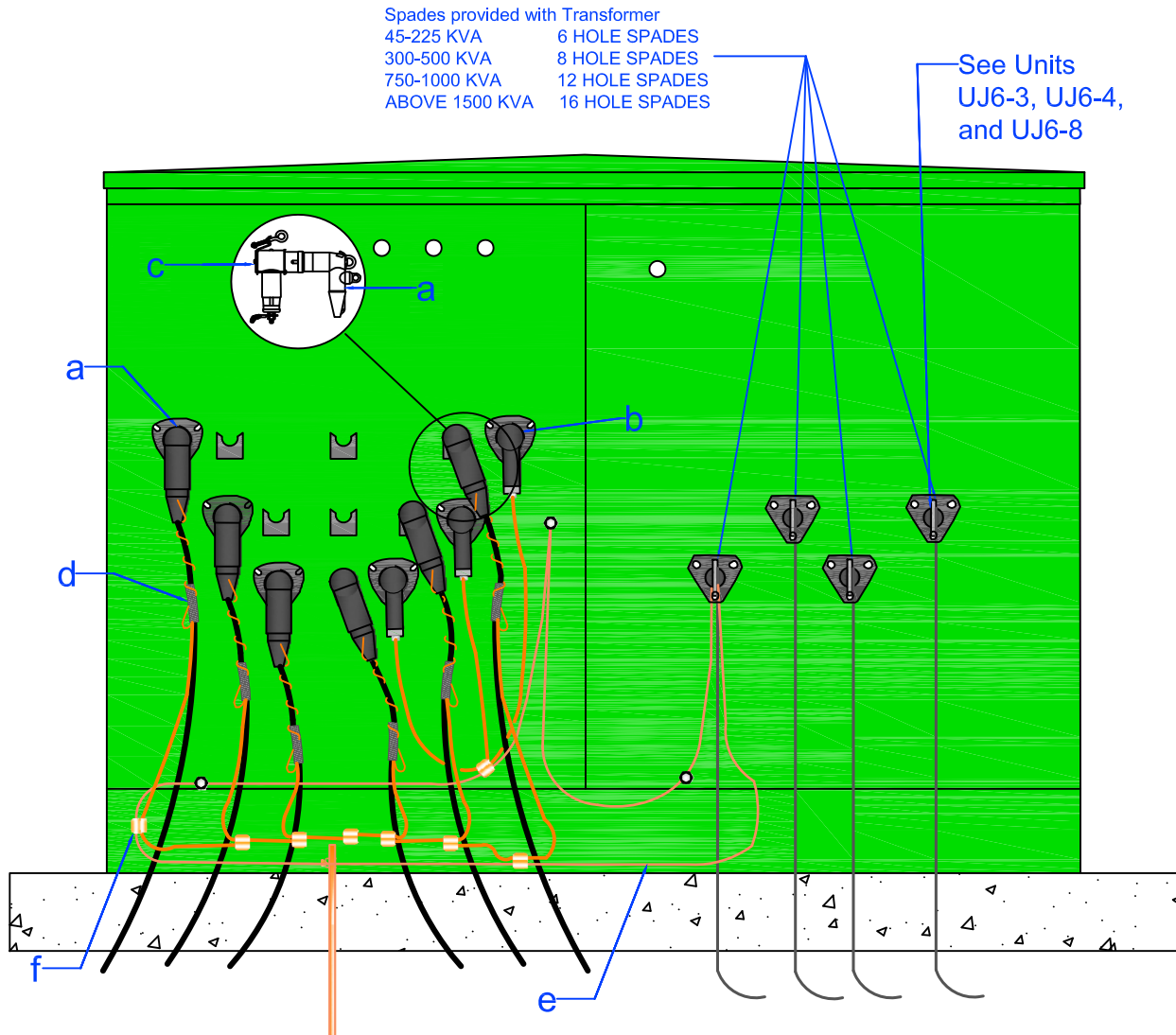
drawn: JBS	approved MJB	date: July 17, 2013
---------------	-----------------	------------------------

103-002-0713



Notes:

1. Bond all concentric neutrals together.
2. Provide sufficient primary neutral pigtail and cable slack to permit ready disconnection of elbow and mounting on parking stand.



Item	Compatible Unit	Quantity	Compatible Unit or Material Description
a	VUM3-1	6	25KV Primary Cable Terminal
b	VUM5-9	3	Arrester Elbow 18KV URD
c	VUM5-10	3	Arrester Parking Stand Type 18KV
d	N/A	*6	2000558 - Kit Cable Sealing 1/0
e	N/A	As Req'd	2001293 - Wire Copper Bare #2 7 Str
f	N/A	As Req'd	Connectors

\* Denotes "Grab bag" items.



URD CONSTRUCTION SPECIFICATIONS

3Ø Padmount Transformer Two Way Feed

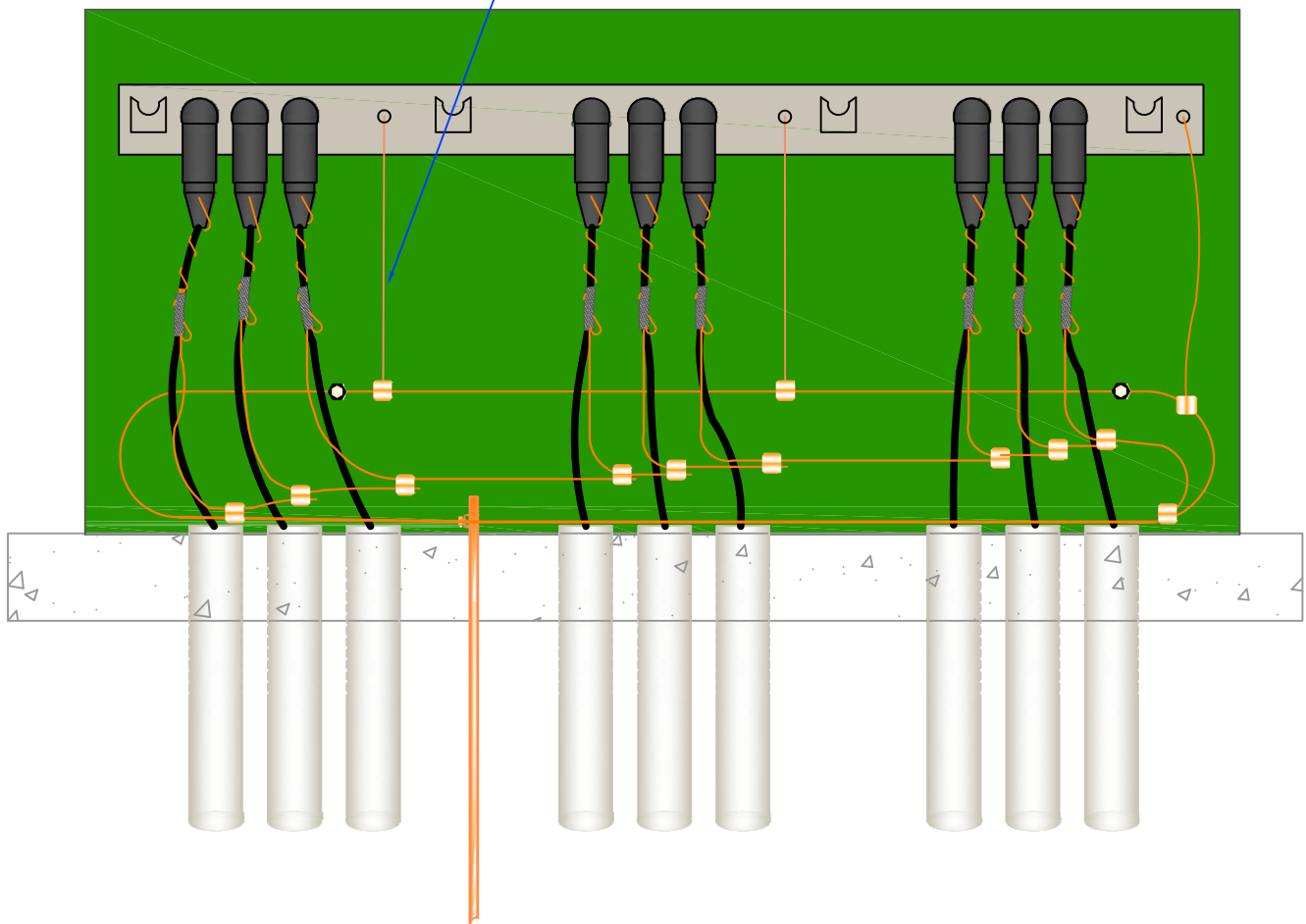
drawn:	approved	date:	103-003-0713
JBS	MJB	July 17, 2013	



Notes:

1. Bond all concentric neutrals together.
2. Provide sufficient primary neutral pigtail and cable slack to permit ready disconnection of elbow and mounting on parking stand.

Tray ground should be independently connected to case ground, not the equipment lug.

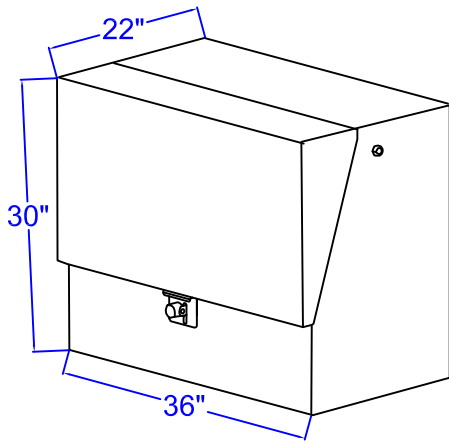


URD CONSTRUCTION  
SPECIFICATIONS

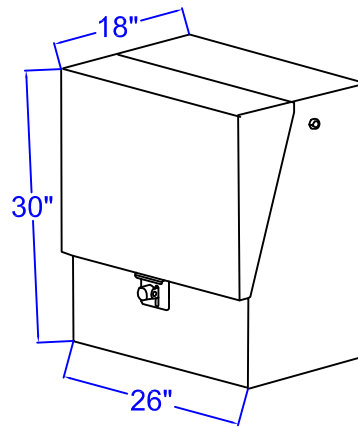
Primary Enclosure Grounds

drawn:	approved	date:	201-001-0713
JBS	MJB	July 18, 2013	

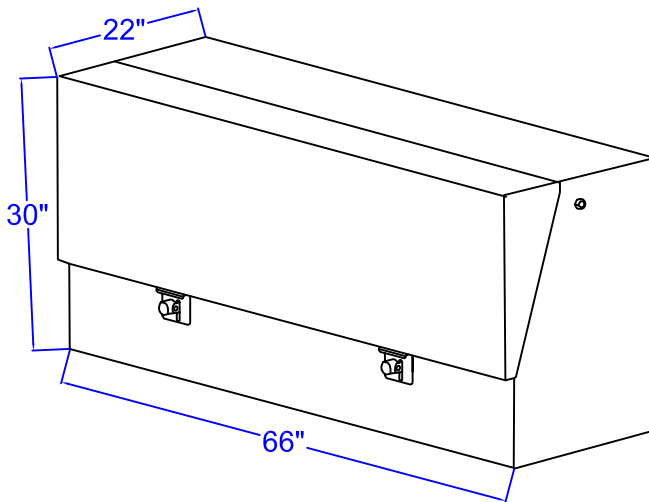
UM30



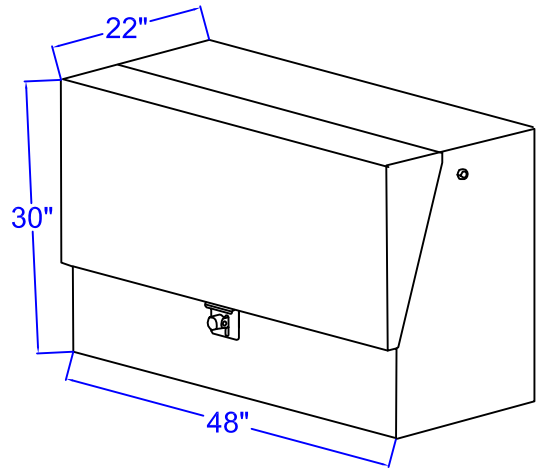
UM31



UM33



UM32



Material Number	Material Description	UM30	UM31	UM32	UM33
2001500	Enclosure Sect PM 1Ph 30X36X22	1			
2000452	Enclosure Sect PM 1Ph 30X26X18		1		
2000447	Enclosure 3Ph w/o Trm 30x48x22			1	
2000448	Enclosure 3Ph w/o Trm 30x66x22				1

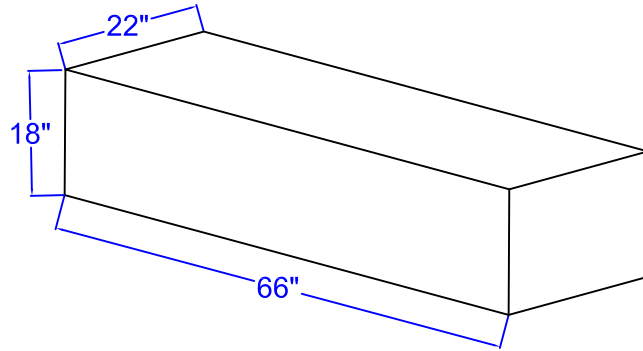


URD CONSTRUCTION SPECIFICATIONS

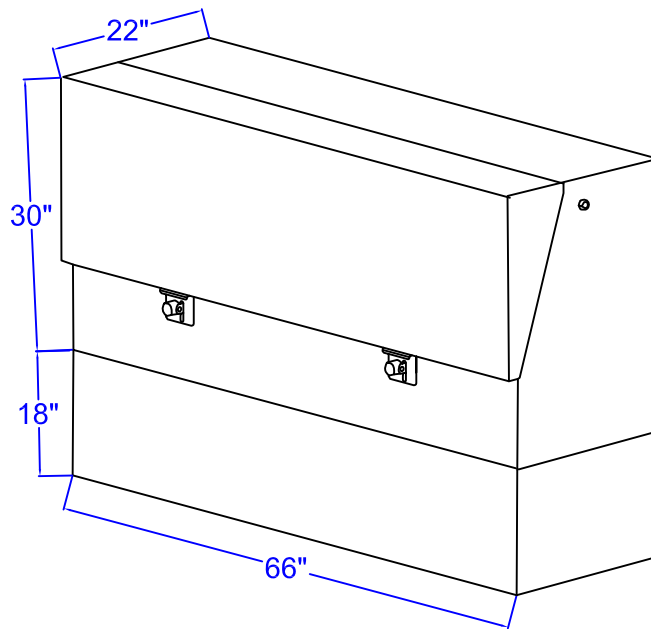
Primary Enclosures

drawn: <b>JBS</b>	approved <b>MJB</b>	date: July 15, 2013	<b>201-002-0713</b>

# UM33S



# UM33WS



**Note:**

UM33WS will come as one piece from the distributor. When combining the spacer and enclosure in the yard the staker must call for the UM33 and UM33S.

Material Number	Material Description	UM33S	UM33WS
2001770	Enclosure Sect Spacer 18" X 66" X 22"	1	
2001780	Enclosure Sect PM 3Ph w/18" Spacer		1



**URD CONSTRUCTION SPECIFICATIONS**

**3Ph Primary Enclosure with 18" Spacer**

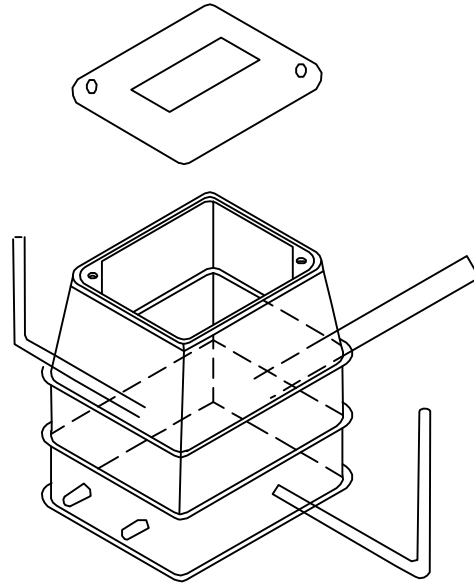
drawn:	approved	date:	201-003-0114
JBS	MJB	January 7, 2014	

UK5



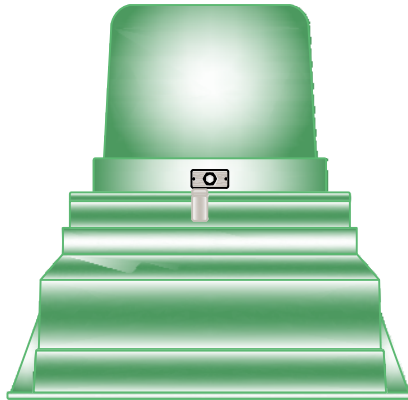
Meter Pedestal

UK6 and UK7



Below Grade  
Secondary Enclosure

UK8



Above Grade Secondary Enclosure

Material Number	Material Description	UK5	UK6	UK7	UK8
2000620	Pedestal URD 4 Meter	1			
2000451	Enclosure Scndry URD 12 x 24		1		
2000450	Enclosure Scdnry URD 17 x 30			1	
2000619	Pedestal URD 1Ph Sec Abv Grade				1



URD CONSTRUCTION  
SPECIFICATIONS

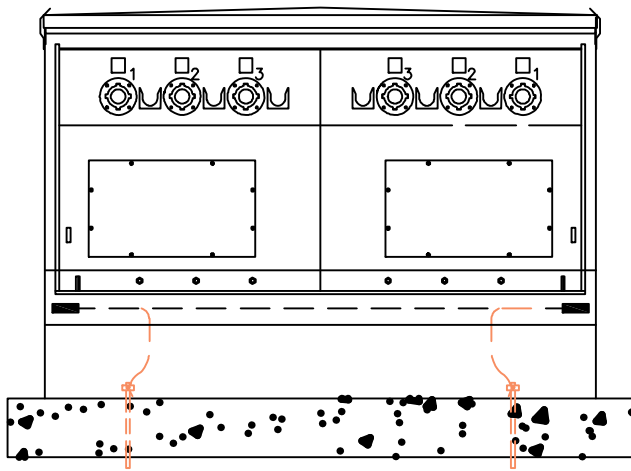
Secondary Enclosures and  
Pedestals

drawn: JBS	approved MJB	date: July 15, 2013	202-001-0713

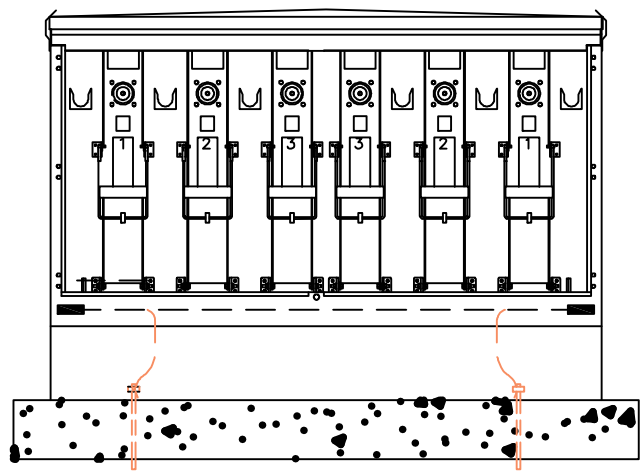
Notes:

1. Bond all concentric neutrals together.
2. Provide sufficient primary neutral pigtail and cable slack to permit ready disconnection of elbow and mounting on parking stand.
3. All switchgears should have a #2 Cu case ground ring. If one side of the switchgear has 1000 MCM wire and the other side 1/0 wire, then a #2 Cu wire independent of the equipment ground should be run between the two sides as a system neutral. If both sides have 1000 MCM wire, then a 4/0 Cu conductor should be run between the two sides as a system neutral.

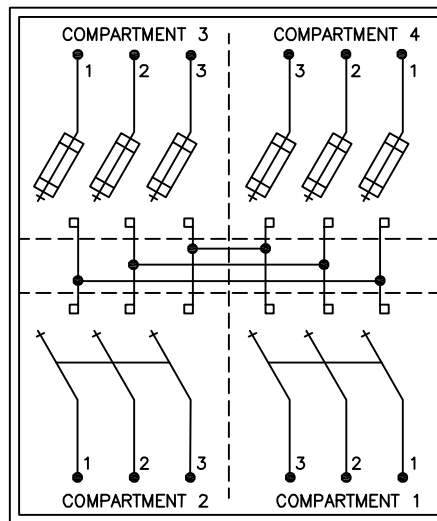
### Switch Side (Door Removed)



### Fuse Side (Door Removed)



### Circuit Configuration



## URD CONSTRUCTION SPECIFICATIONS

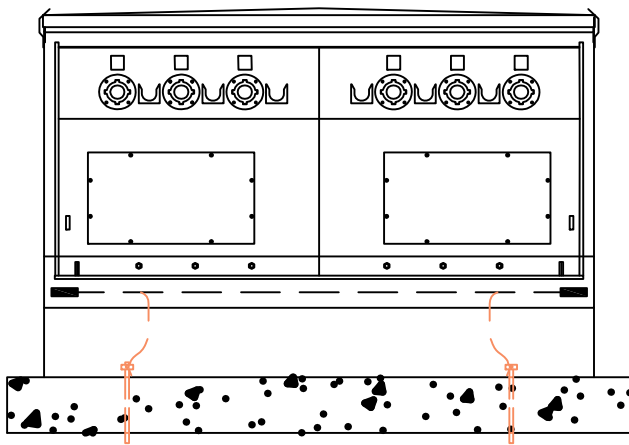
## Typical Switchgear Figure 9 2 Switches and 2 Fuses

drawn:	approved	date:	300-001-0713
JBS	MJB	July 18, 2013	

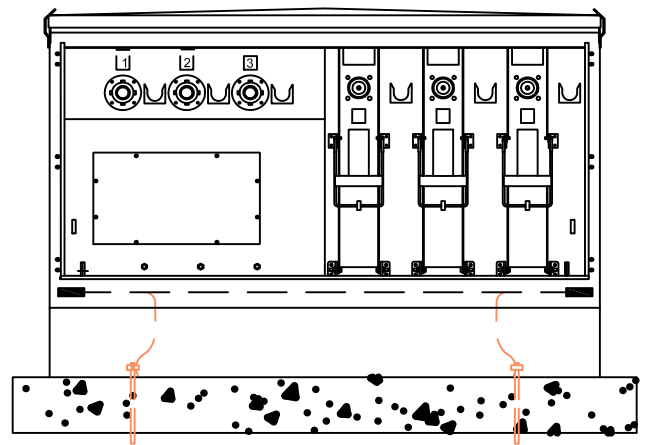
Notes:

1. Bond all concentric neutrals together.
2. Provide sufficient primary neutral pigtail and cable slack to permit ready disconnection of elbow and mounting on parking stand.
3. All switchgears should have a #2 Cu case ground ring. If one side of the switchgear has 1000 MCM wire and the other side 1/0 wire, then a #2 Cu wire independent of the equipment ground should be run between the two sides as a system neutral. If both sides have 1000 MCM wire, then a 4/0 Cu conductor should be run between the two sides as a system neutral.

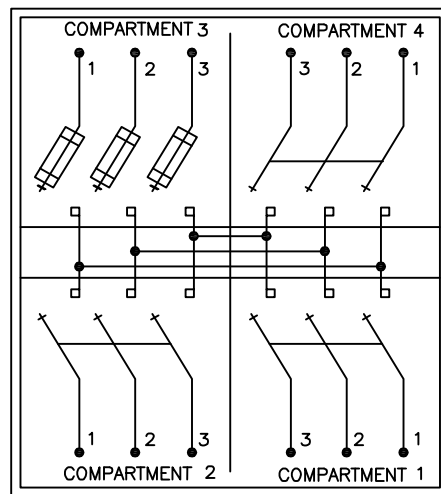
Front View  
Switch Side



Rear View  
Fuse Side



Circuit Configuration



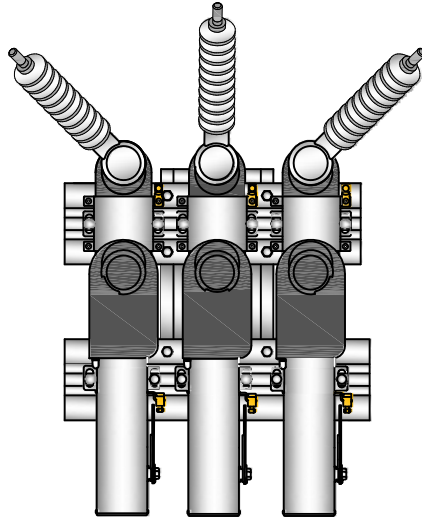
URD CONSTRUCTION  
SPECIFICATIONS

Typical Switchgear Figure 11  
3 Switches and 1 Fuse

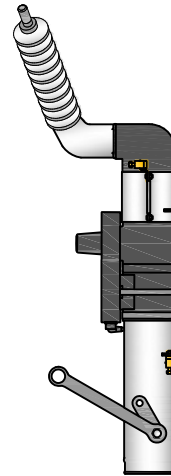
drawn:	approved	date:	300-002-0713
JBS	MJB	July 18, 2013	

# VUM3-18 and VUM3-18.1

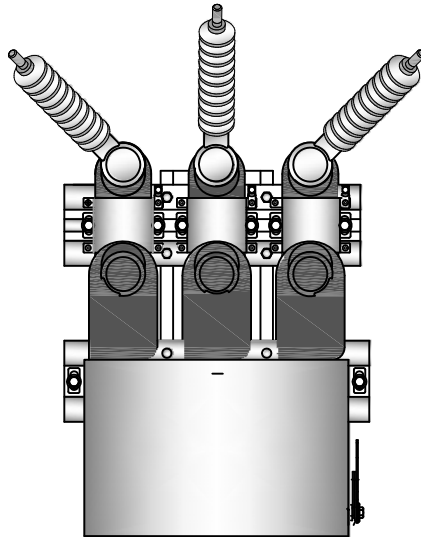
Front View



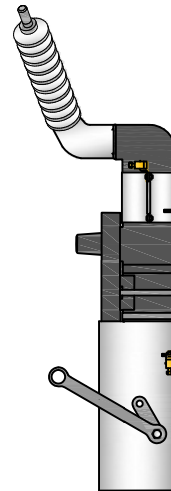
Side View



VUM3-19  
Front View



VUM3-19  
Side View



Material Number	Material Description	VUM3-18	VUM3-18.1	VUM3-19
2000830	Riser Interrupter 3-1ph 600A	1		
2000829	Riser Interrupter 3-1ph 200A		1	
2000831	Riser Interrupter 3ph w/Contr			1

Use unit VUM3-17 to replace a failed 600A MVI.

Use unit VUM3-17.1 to replace a failed 200A MVI.



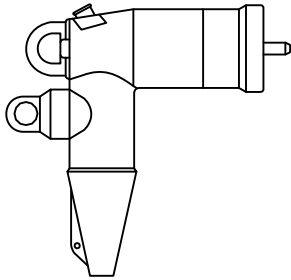
URD CONSTRUCTION  
SPECIFICATIONS

## Riser MVI's

drawn: <b>JBS</b>	approved <b>MJB</b>	date: July 15, 2013	400-001-0713

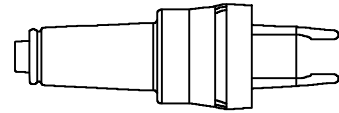


VUM3-1



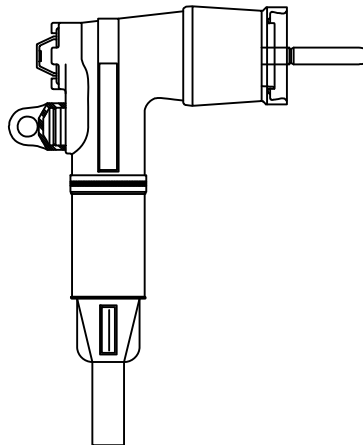
Load Break Elbow

VUM3-3



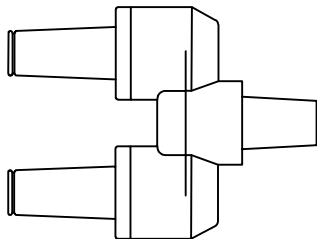
Load Break  
Transformer Bushing

VUM3-2



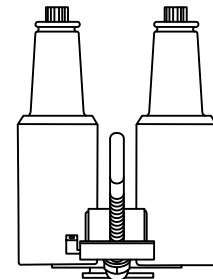
Load Break Repair Elbow

VUMFTI



Radial to Loop  
Pad Mount Bushing

VUFTB



Portable Feed  
Thru Bushing

Material Number	Material Description	VUM3-1	VUM3-2	VUM3-3	VUFTB	VUMFTI
2000387	Conn URD LB Elbow 25KV	1				
2000279	Conn LB Repair Elbow 25KV		1			
2000178	Bushing LB Trans 25KV			1		
2000181	Bushing Ptbl Feed-Thru 25KV				1	
2000179	Bushing PM Radial To Loop					1

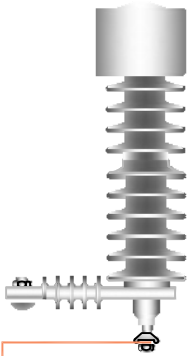


URD CONSTRUCTION  
SPECIFICATIONS

Miscellaneous URD Assemblies  
Pg 1 of 2

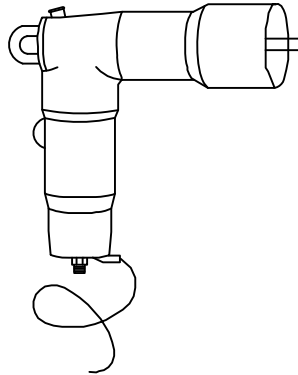
drawn: JBS	approved MJB	date: July 15, 2013	500-001-0713

### VUM5-6



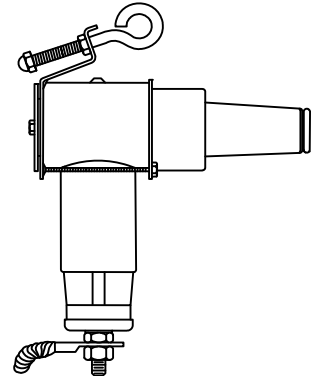
18kv MOV  
Riser Arrester

### VUM5-9



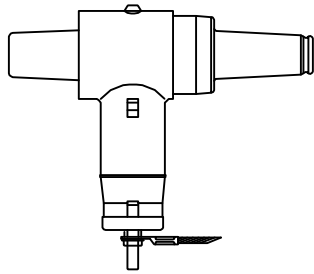
18kv MOV  
Elbow Arrester

### VUM5-10



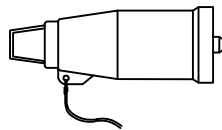
18kv MOV Parking  
Stand Arrester

### VUM5-11



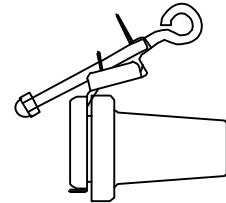
18kv MOV  
Bushing Arrester

### VUM6-11



Pro Cap

### VUM6-12



Standoff Insulator

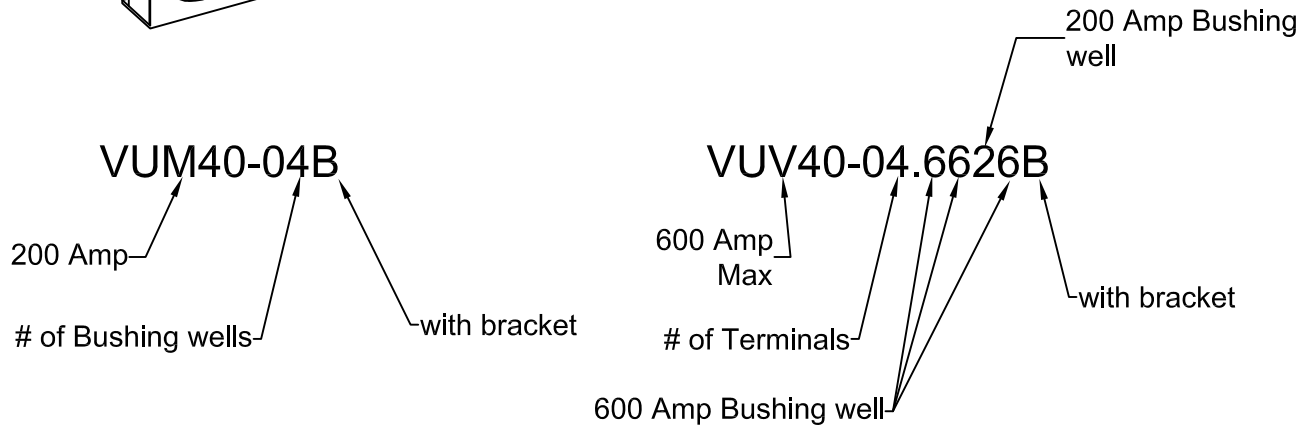
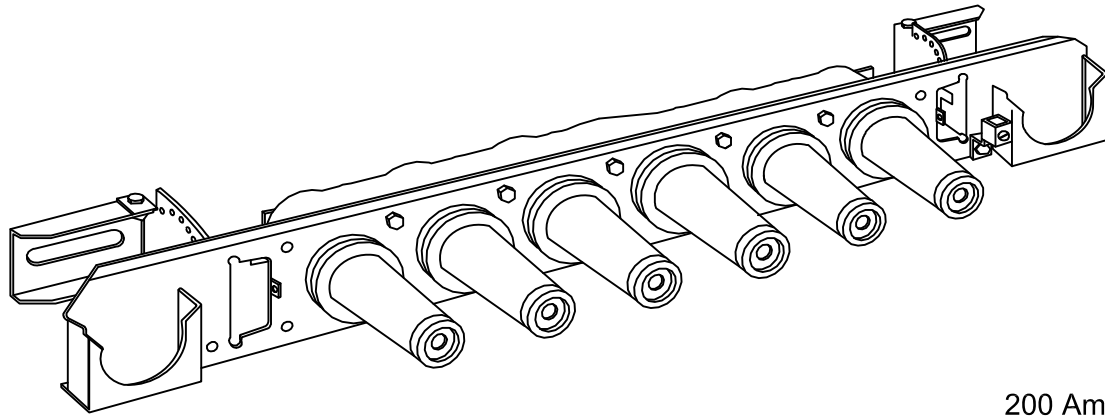
Material Number	Material Description	VUM5-6	VUM5-9	VUM5-10	VUM5-11	VUM6-11	VUM6-12
2000495	Guard Bird, Arrester	1					
2000015	Arrester Dist 18KV MOV Riser	1					
2000030	Arrester URD Elbow 18KV MOV		1				
2000028	Arrester URD 18KV MOV Prk Stnd			1			
2000029	Arrester URD Bushing 18KV MOV				1		
2000237	Cap Assy Grd Brkt Term 25KV					1	
2000546	Insulator Standoff 25KV						1



## URD CONSTRUCTION SPECIFICATIONS

## Miscellaneous URD Assemblies Pg 2 of 2

drawn: <b>JBS</b>	approved <b>MJB</b>	date: July 15, 2013	500-002-0713
----------------------	------------------------	------------------------	--------------



Units with "SV" have bushing wells at 6½" centers for use with MVI's.

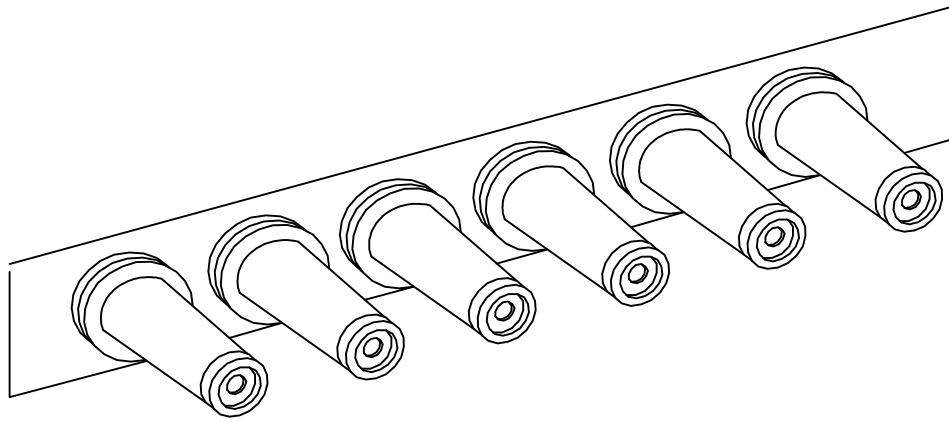
	Compatible Unit	Compatible Unit Description	Material Number and Description
<b>200 Amp Loadbreak Terminals</b>	VUM40-02B	25KV LB Tap w/Bracket 2P	2000985 - Terminal 2P 25KV 200A w/Brkt
	VUM40-03B	25KV LB Tap w/Bracket 3P	2000988 - Terminal 3P 25KV 200A w/Brkt
	VUM40-04B	25KV LB Tap w/Bracket 4P	2000994 - Terminal 4P 25KV 200A w/Brkt
	VUM40-05B	25KV LB Tap w/Bracket 5P	2000997 - Terminal 5P 25KV 200A w/Brkt
	VUM40-06B	25KV LB Tap w/Bracket 6P	2000999 - Terminal 6P 25KV 200A w/Brkt
<b>200/600 Amp Combination Terminals</b>	VUV40-03.626B	Term 3P-626A-25kv with Brkt	2001494 - Term 3P-626A-25kv with TMA Bracket
	VUV40-04.6226B	Term-4P-6226A-25kv with tilt mounting ad	2000978 - Term 4P-6226A-25kv with tilt
	VUV40-04.6626B	Term-4P-6626A-25kv with tilt mounting ad	2000979 - Term 4P-6626A-25kv with tilt
	VUV40-04.6626SVB	Term-4P-6626A-25-SV-TMA brkt to be used	2000976 - Term 4P 25KV 6626A SV TMA Brkt
	VUV40-05.62226B	Term-5P-62226-25kv with tilt mounting ad	2000982 - Term 5P-62226-25kv with tilt
	VUV40-05.62266B	Term-5P-62266-25kv with tilt mounting ad	2000983 - Term 5P-62266-25kv with tilt
	VUV40-05.62266SVB	TERM--5P-62266-25KV	2001453 - Term-5P-62266-25-KV
	VUV40-05.66266SVB	Term-5P-66266-25-SV-TMA brkt to be used	2000984 - Term 5P-66266-25kv with tilt
<b>600 Amp Terminals</b>	VUVBJ526	Term 5P-62226-25kv with tilt mounting ad	2000981 - Term 5P-62226-25kv with tilt
	VUV40-03.666B	Term-3P-666A-25kv with tilt mounting ada	2000975 - Term 3P-666A-25kv with tilt
	VUV40-03.666SVB	Term-3P-666A-25-SV-TMA brkt to be used w	2000974 - Term 3P-666A-25-SV-TMA brkt
	VUV40-04.6666B	Term-4P-6666A-25kv with tilt mounting ad	2000980 - Term 4P-6666A-25kv with tilt
	VUV40-04.6666SVB	Term-4P-6666A-25-SV-TMA brkt to be used	2000977 - Term 4P 25KV 6666A SV TMA Brkt



**URD CONSTRUCTION SPECIFICATIONS**

**Junction Terminals for Vault Applications**

drawn:	approved	date:	500-003-0713
JBS	MJB	July 15, 2013	



VUM40-04  
 200 AMP TERMINAL  
 # OF TERMINALS

VUVBJ3-626  
 600 AMP MAX  
 # OF TERMINALS  
 200 AMP TERMINAL  
 600 AMP TERMINAL



*Michelle Galloway*  
 09/28/2018

	COMPATIBLE UNIT	COMPATIBLE UNIT DESCRIPTION	MATERIAL NUMBER AND DESCRIPTION
200 AMP LOADBREAK TERMINALS	VUM40-02	25kV LB TAP 2 POLE	2000986-TERMINAL 2P 25kV 200A w/STRAP
	VUM40-03	25kV LB TAP 3 POLE	2000989-TERMINAL 3P 25kV 200A w/STRAP
	VUM40-04	25kV LB TAP 4 POLE	2000995-TERMINAL 4P 25kV 200A w/STRAP
	VUM40-05	25kV LB TAP 5 POLE	2000998-TERMINAL 5P 25kV 200A w/STRAP
	VUM40-06	25kV LB TAP 6 POLE	2001000-TERMINAL 6P 25kV 200A w/STRAP
200/600 AMP COMBINATION TERMINALS	VUVBJ3-626	TERMINAL 3P 25kV 626 WITH STRAP	2000973-TERMINAL 3P 25kV 626 w/STRAP
	VUVBJ4-2226	TERMINAL 4P 25kV 2226 WITH STRAP	2002711-TERMINAL 4P 25kV 2226 W/STRAP
	VUVBJ4-6226	TERMINAL 4P 25kV 6226 WITH STRAP	2000992-TERMINAL 4P 25kV 6226 w/STRAP
	VUVBJ4-6622	TERMINAL 4P 25kV 6622 WITH STRAP	2002621-TERMINAL 4P 25kV 6622 w/STRAP
600 AMP TERMINALS	VUVBJ2	TERMINAL 2P 25kV 600A WITH STRAP	2000987-TERMINAL 2P 25kV 600A w/STRAP
	VUVBJ3	TERMINAL 3P 25kV 600A WITH STRAP	2000991-TERMINAL 3P 25kV 600A w/STRAP

REV | A | DATE | 09/28/2018 | REVISION | ISSUE FOR CONSTRUCTION | BY | RWC | CHK | | APR |

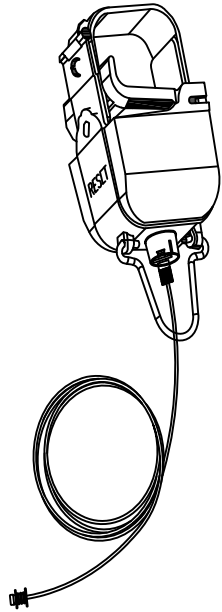


CONSTRUCTION  
 ASSEMBLY UNIT

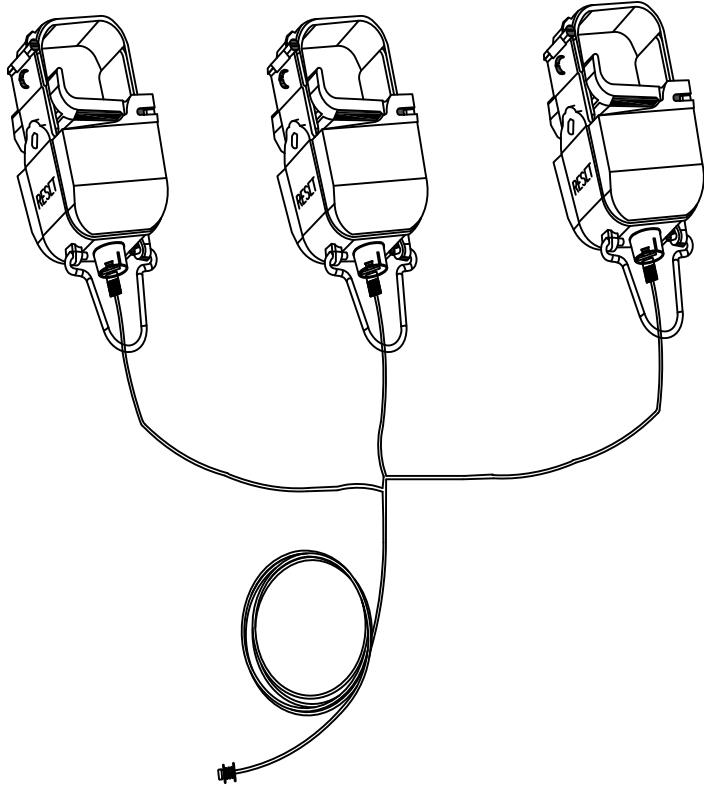
JUNCTION TERMINALS FOR  
 ABOVE GROUND ENCLOSURES

drawn:	approved:	date:	500-004
M&S JS	MMG	03/26/2018	

UM6-4



UM6-9



Material Number	Material Description	UM6-4	UM6-9
2000523	Indicator Fault URD Remote	1	
2000524	Indicator Fault URD Remote 800A 3P		1

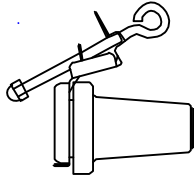


URD CONSTRUCTION SPECIFICATIONS

Fault Indicators

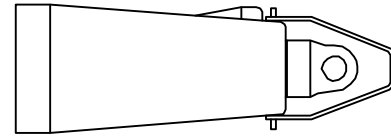
drawn: <b>JBS</b>	approved <b>MJB</b>	date: July 15, 2013	<b>500-005-0713</b>

## VUVIS



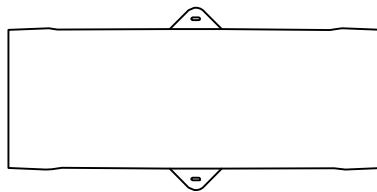
Standoff Insulator 25kv

## VUVPC



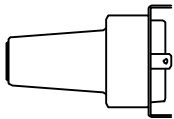
Pro Cap 25kv

## VUVBE



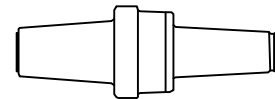
Bushing Extender

## VUVRW



Tap Well Reducer

## VUVTP



Tap Plug Reducer w/Stud

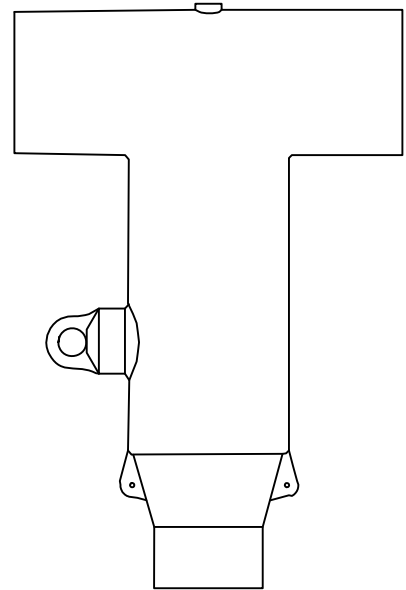
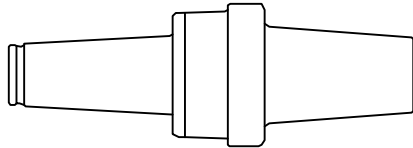
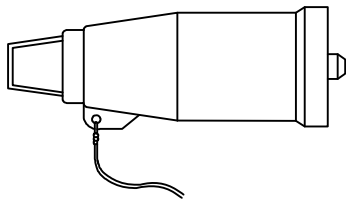
Material Number	Material Description	VUVIS	VUVPC	VUVBE	VUVRW	VUVTP
2000547	Insulator Standoff 25KV 600A	1				
2000236	Cap Assy Grd Brkt Term 25 600A		1			
2000456	Extender URD Bushing 25KV 600A			1		
2000178	Bushing LB Trans 25KV				1	
2000825	Reducer Tap Well 600A-T-200A				1	
2000824	Reducer Tap Plug w/Stud 600A					1



URD CONSTRUCTION  
SPECIFICATIONS

600 Amp Miscellaneous Assemblies

drawn: <b>JBS</b>	approved <b>MJB</b>	date: July 15, 2013	<b>500-006-0713</b>



Note: All "T" Connector kits come with a tap plug reducer with stud and pro cap as shown above.

Material Number	Material Description	VU1-0TC	VU4-0TC	VU500TC	VU1000TC
2000561	Kit T Conn 25KV 600/900A 1/0 Al LB	1			
2000563	Kit T Conn 25KV 600A/900A 4/0 CU LB		1		
2000564	Kit T Conn 25KV 600A/900A 500 CU LB			1	
2000562	Kit T Conn 25KV 600A/900A 1000Al LB				1



URD CONSTRUCTION  
SPECIFICATIONS

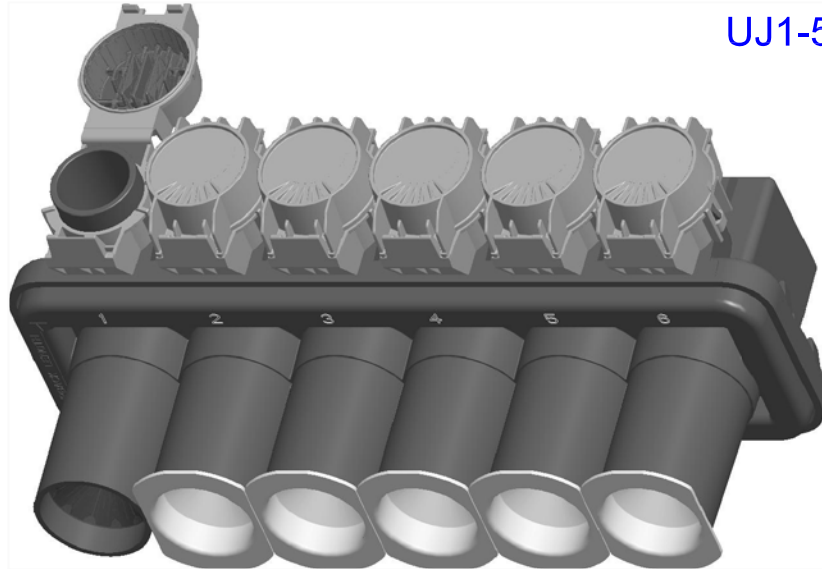
### 600 Amp "T" Connectors

drawn: <b>JBS</b>	approved <b>MJB</b>	date: July 15, 2013	<b>500-007-0713</b>

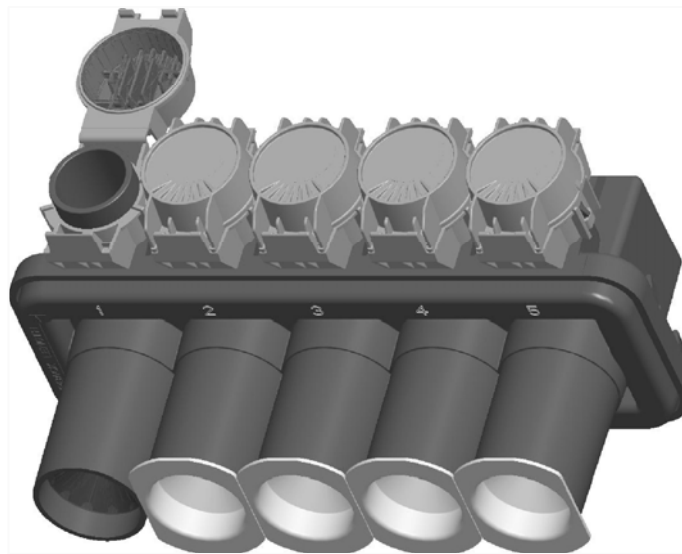


# UJ1-5

Note: A maximum of (4)500MCM and (2)350MCM may be used when using UJ1-5.



# UJ1-4



Material Number	Material Description	UJ1-4	UJ1-5
2000389	Conn URD Ped 5 Cond 6-350 WP	3	
2000388	Conn URD Ped 6 Cond (4)6-500, (2)6-350 WP		3

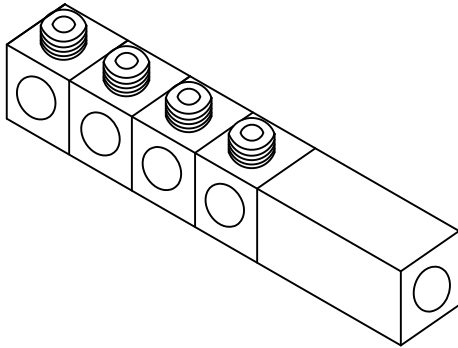


URD CONSTRUCTION  
SPECIFICATIONS

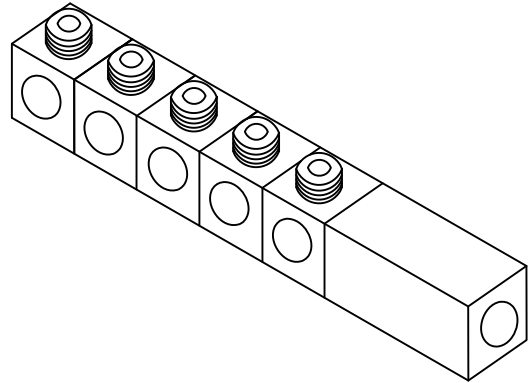
Secondary Connectors for  
URD Pedestals

drawn: <b>JBS</b>	approved <b>MJB</b>	date: January 14, 2014	500-008-0713

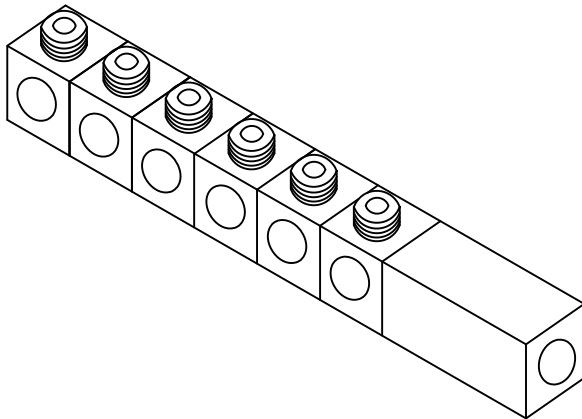
UJ2-4  
UJ3-4



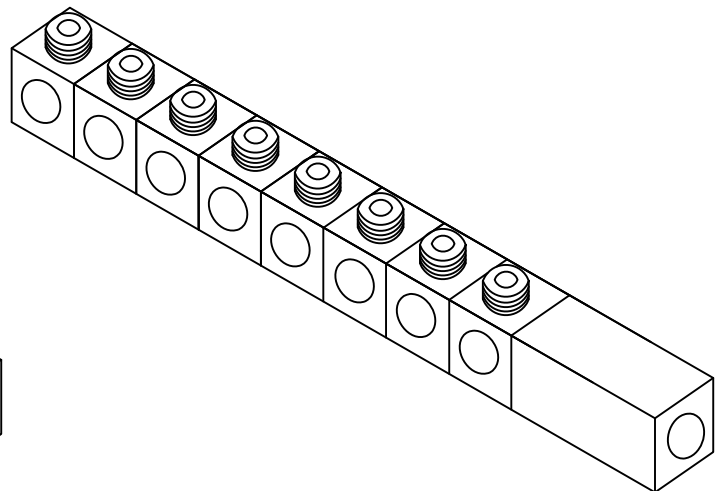
UJ2-5  
UJ3-5



UJ2-6 UJ5-6  
UJ3-6



UJ5-8



Material Number	Material Description	0-75 KVA			100-250 KVA			0-250 KVA	
		UJ2-4	UJ2-5	UJ2-6	UJ3-4	UJ3-5	UJ3-6	UJ5-6	UJ5-8
2000356	Conn Stud Ins 5/8-4-350 (4H)	2							
2000363	Conn Stud Non-Ins 5/8"-4-350	1							
2000357	Conn Stud Ins 5/8-5-350 (5H)		2						
2000364	Conn Stud Non-Ins 5/8"-5-350		1						
2000358	Conn Stud Ins 5/8-6-350 (6H)			2					
2000365	Conn Stud Non-Ins 5/8"-6-350			1					
2000351	Conn Stud Ins 1-4-500 (4H)				2				
2000360	Conn Stud Non-Ins 1-4-500 (4H)				1				
2000352	Conn Stud Ins 1-5-500 (5H)					2			
2000359	Conn Stud Non-Ins 1 5-500 (5H)					1			
2000353	Conn Stud Ins 1-6-500 (6H)						2		
2000361	Conn Stud Non-Ins 1-6-500 (6H)						1		
2000354	Conn Stud Ins 5/8-1 500 6H							1	
2000355	Conn Stud Ins 5/8-1 500 8H								1

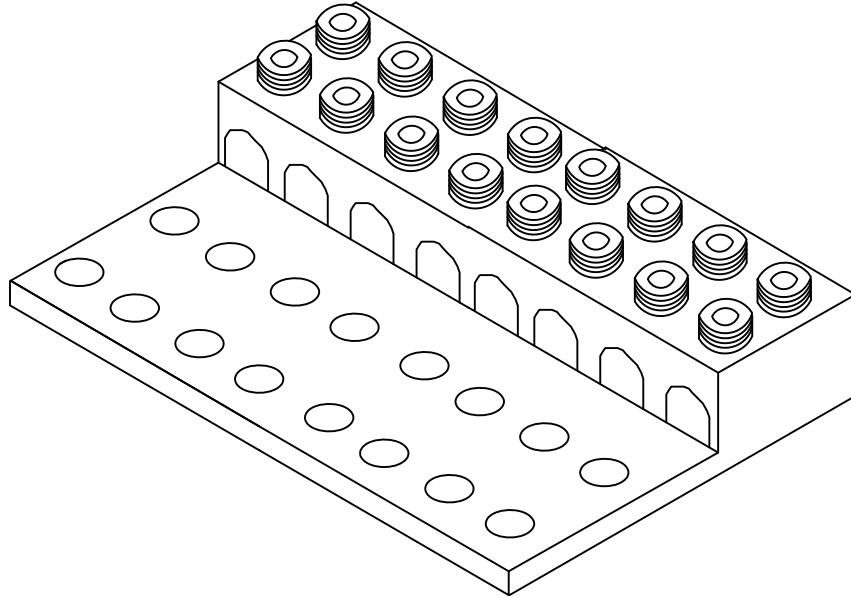


URD CONSTRUCTION SPECIFICATIONS

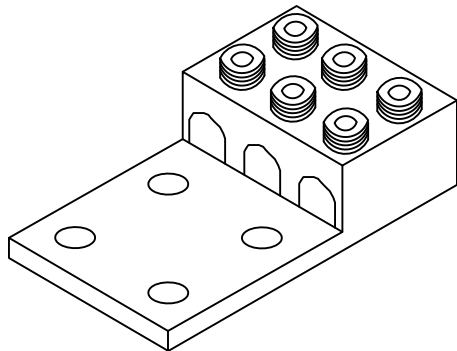
Secondary Single Phase Padmount Transformer Connectors

drawn: <b>JBS</b>	approved <b>MJB</b>	date: July 15, 2013	<b>500-009-0713</b>
----------------------	------------------------	------------------------	---------------------

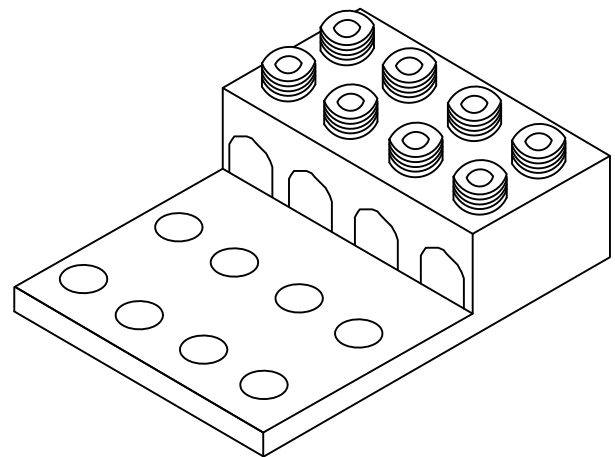
UJ6-8



UJ6-3



UJ6-4



Material Number	Material Description	UJ6-3	UJ6-4	UJ6-8
2000370	Conn Ter 1/0-750Al CU 3 Cnd 4H	4		
2000369	Conn Ter 1/0-750 Al-CU-4Cnd 8H		4	
2000366	Conn Ter 1/0-1000MCM 8 Cnd 16H			4

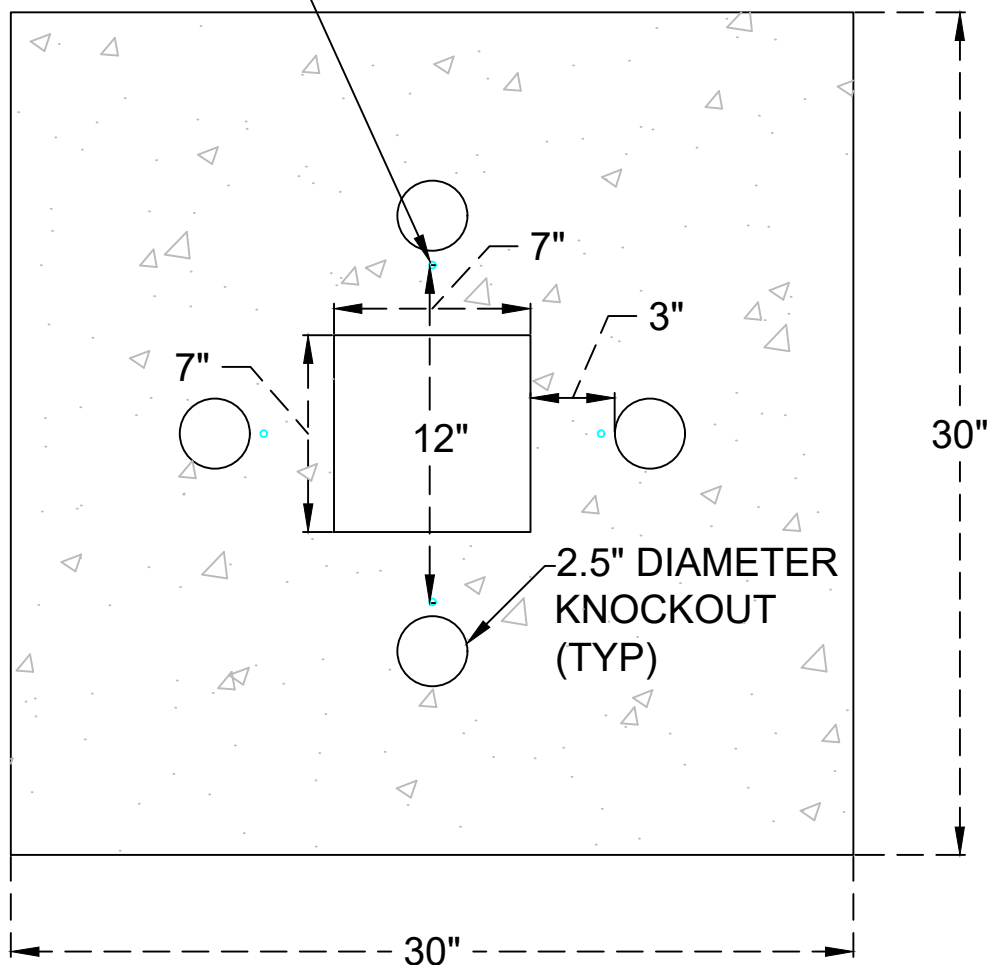


URD CONSTRUCTION SPECIFICATIONS

Secondary Transformer Paddles

drawn:	approved	date:	500-010-0713
JBS	MJB	July 15, 2013	

3/8" X 4" GALVANIZED  
BOLT (TYP)



ALL DIMENSIONS ARE TYPICAL  
EXCEPT FOR SLIGHT DESIGN  
VARIANCES FROM MANUFACTURER



**NOT TO BE USED FOR NEW CONSTRUCTION.  
FOR REPLACEMENT ONLY!**

*Michelle Galloway*  
08/08/2018

MATERIAL NUMBER	MATERIAL DESCRIPTION	UM1P
2000616	PAD CONCRETE METER PEDESTAL	1

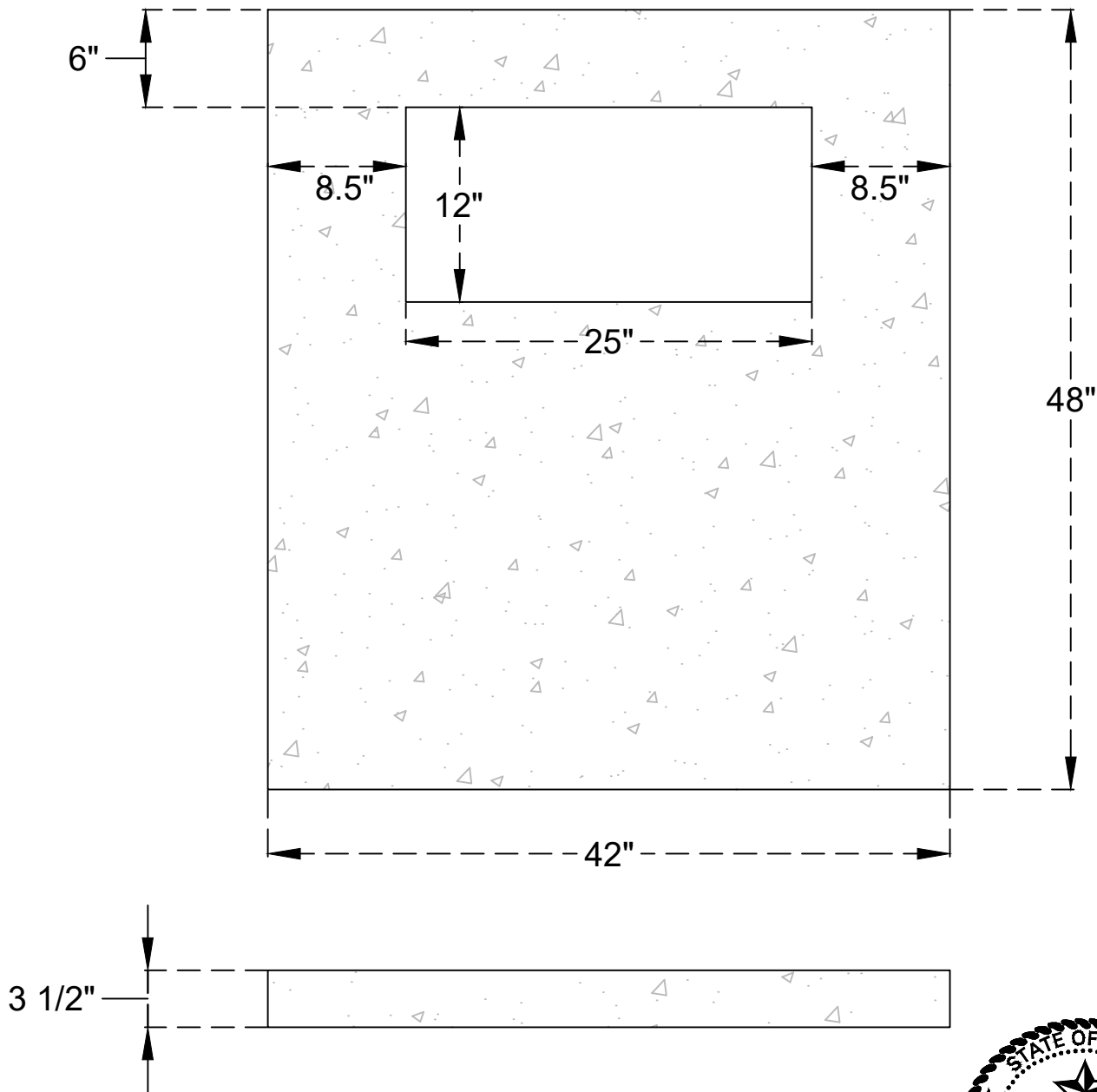
REV | A | DATE | 07/25/2018 | REVISION | ISSUE FOR CONSTRUCTION | BY | RWC | EJD | CHK | APR | MMG



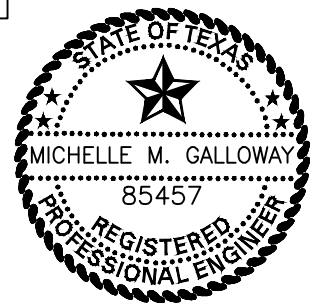
MATERIAL  
SPECIFICATION

PRECAST PAD FOR  
PEDESTAL

drawn: M&S JS	approved: MMG	date: 04/20/2014	600-001-0318



ALL DIMENSIONS ARE TYPICAL  
EXCEPT FOR SLIGHT DESIGN  
VARIANCES FROM MANUFACTURER



*Michelle Galloway*  
08/08/2018

**NOT TO BE USED FOR NEW CONSTRUCTION.  
FOR REPLACEMENT ONLY!**

MATERIAL NUMBER	MATERIAL DESCRIPTION	UM1
2000617	PAD CONCRETE TRANSFORMER 47x42 or 48x42	1

REV | A | DATE | 07/25/2018 | REVISION | ISSUE FOR CONSTRUCTION | BY | RWC | EJD | CHK | APR | MMG



MATERIAL  
SPECIFICATION

PRECAST PAD FOR  
TRANSFORMER

drawn: M&S JS	approved: MMG	date: 04/20/2014	600-002-0318